

Inductive analog sensor

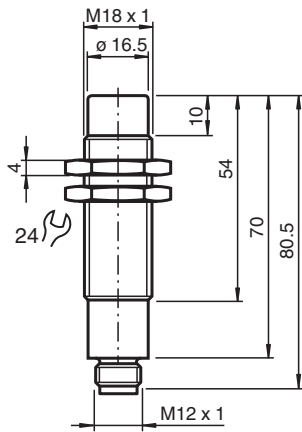
ANT2-8 2084/85 V1



- Inductive analog
- Output 0 V ... 10 V
- Output 0 mA ... 20 mA
- Non-flush mountable



Dimensions



Technical Data

| General specifications | |
|-----------------------------|---|
| Output type | Analog current output or analog voltage output |
| Installation | non-flush |
| Output polarity | DC |
| Measurement range | 2 ... 8 mm |
| Output type | 3-wire |
| Nominal ratings | |
| Operating voltage | U_B 18 ... 30 V |
| Output signal | 0 ... 20 mA 0 ... 10 V |
| Reverse polarity protection | reverse polarity protected |
| Linearity error | ± 0.5 % |
| Temperature drift | ≤ 0.2 % / K v.E. |
| Repeat accuracy | < 0.02 mm |
| No-load supply current | I_0 ≤ 15 mA |
| Load resistor | voltage output: ≥ 4,7 kΩ current output: ≤ 200 Ω |
| Electrical specifications | |
| Linearity | ± 5 % v.E. |

Release date: 2022-06-30 Date of issue: 2022-06-30 Filename: 409633_eng.pdf

Refer to "General Notes Relating to Pepperl+Fuchs Product Information".

Pepperl+Fuchs Group
www.pepperl-fuchs.com

USA: +1 330 486 0001
fa-info@us.pepperl-fuchs.com

Germany: +49 621 776 1111
fa-info@de.pepperl-fuchs.com

Singapore: +65 6779 9091
fa-info@sg.pepperl-fuchs.com

PF PEPPERL+FUCHS

Technical Data

| Compliance with standards and directives | |
|--|--|
| Standard conformity | |
| Standards | EN 60947-5-2:2007 IEC 60947-5-2:2007 EN 60947-5-7:2003 IEC 60947-5-7:2003 |
| Approvals and certificates | |
| CCC approval | CCC approval / marking not required for products rated ≤ 36 V |
| Ambient conditions | |
| Ambient temperature | -25 ... 70 °C (-13 ... 158 °F) |
| Mechanical specifications | |
| Connection type | M12 x 1 |
| Housing material | brass, nickel-plated |
| Sensing face | PBT |
| Degree of protection | IP67 |

Connection

